



Connect the cables and set the DIP Switch

1. Connect the power cables between inverter and battery or the Busbar. The battery connector is (1) shown in figure1. See Figure 2 for detailed parameters of power cable.

2. Use customized communication cable whose pin sequence is **4H5L to 8H7L (Battery to Inverter)** as shown in figure3.

Use Can protocol. Plug in the **4H5L** into the **CAN port** of the Pytes battery and plug in the **8H7L** into **BMS Port (2)** as shown.

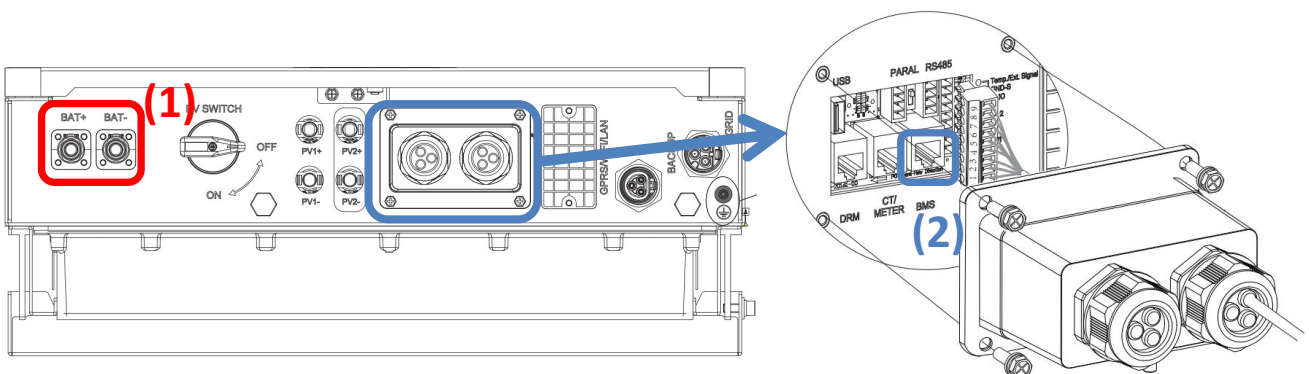


Figure1

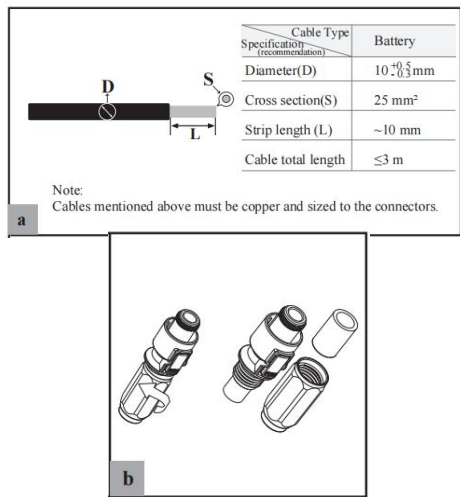


Figure 2

Figure 3

3. Set the Dip switch as shown in Figure 3. (down-up-down-down-up-down)



Figure 3

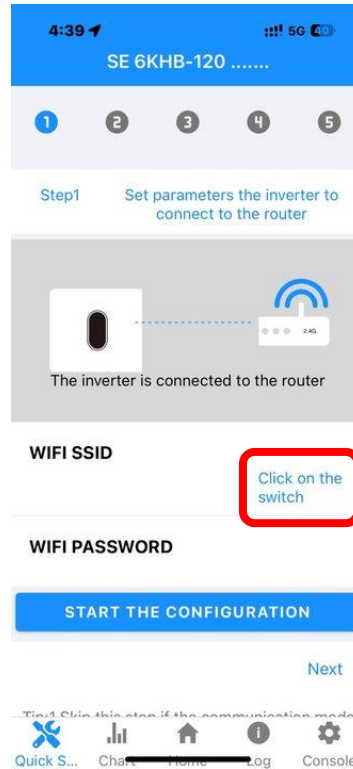
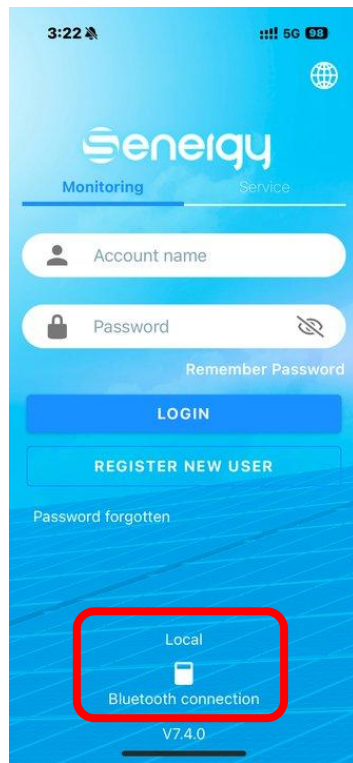
Program the inverter

Turn on the battery. It will awake the inverter. Search the SETouch APP on App Store or Google play, or scan the QR code below.

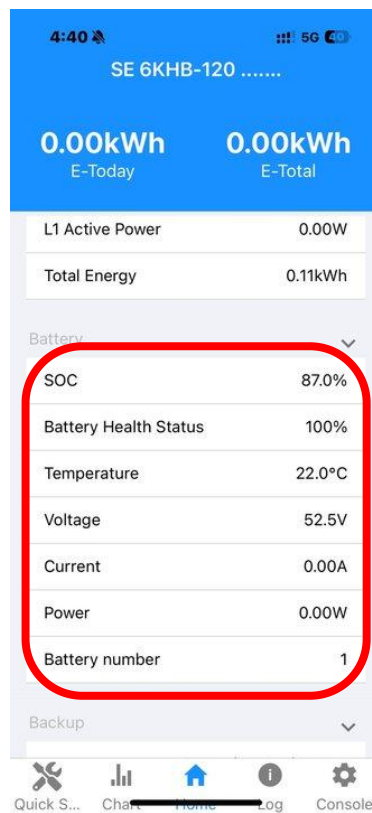


Go into the SETouch.

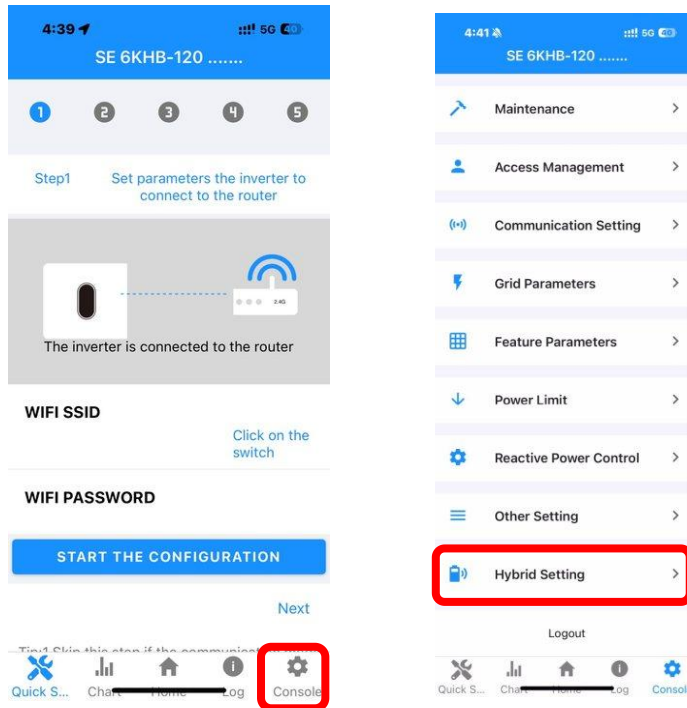
Use local bluetooth to connect, choose the WIFI.



Go to Home check if the battery SOC is correct. If so, they communicate successfully.



Go to Console-Hybrid Setting, input the administrator password :**admin** to enter.



Choose Battery. Set (1),(2),(3) as shown below.

