

Installation and configuration manual

With SRNE

Pytes Lithium Battery

E-BOX series

With SRNE Inverter



CONTENTS

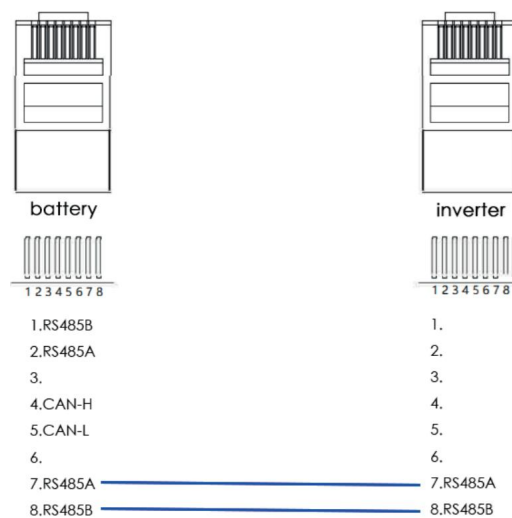
BOM LIST	3
HOW TO INSATLL	4
1. Power Cable Connection	4
Step.1	5
Step.2	5
Step.3	6
2. Communication Cable Connection	7
3. Set The DIP Switch	8
4. Start up the system	8
5.Change the battery setting of the inverter	8
Step1	8
Step2	9
Step3	9
Step4	10
6.Check the battery soc	10
7.System monitoring	11

BOM LIST

Before installation, you should prepare following items.

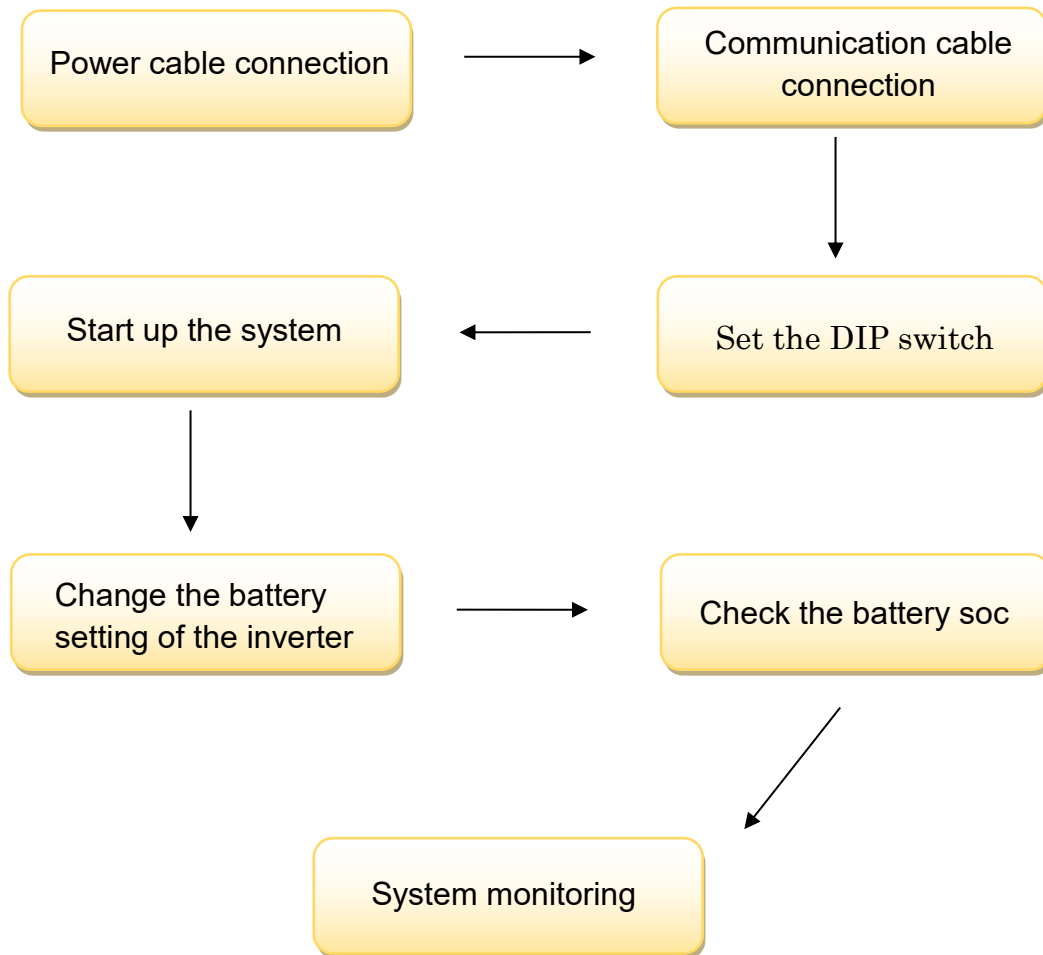
Item	Remarks	Quantity
Power Cable (DC)	<input type="checkbox"/> Conductor cross-section: 50 mm ² to 95 mm ² <input type="checkbox"/> Cable diameters: 14 mm to 25 mm <input type="checkbox"/> Only copper cables may be used. <input type="checkbox"/> The DC cables must be sized for the maximum battery voltage and the maximum battery current (see battery manufacturer documentation).	Depends on the number of batteries and the connection method
CAN Cable	CAN communication Terminal (RJ45 port) follow CAN protocol, to output batteries information	1
Battery	48100R / 48100C / 4850	Depends on the number of batteries and the connection method
Inverter	SRNE	1

Definition of RJ45 Port Pin for BMS is as follow.



RS485 port definition(cut off other six pins)

HOW TO INSATLL



CAUTION: Please turn off the Power Switch of Battery and Inverter before Operation

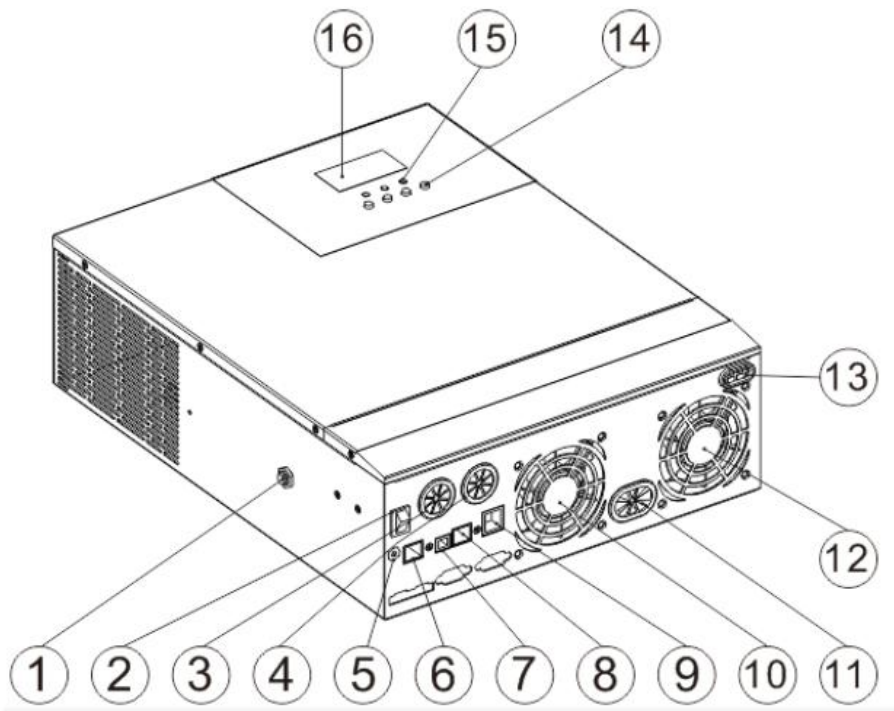
1. Power Cable Connection

Step.1

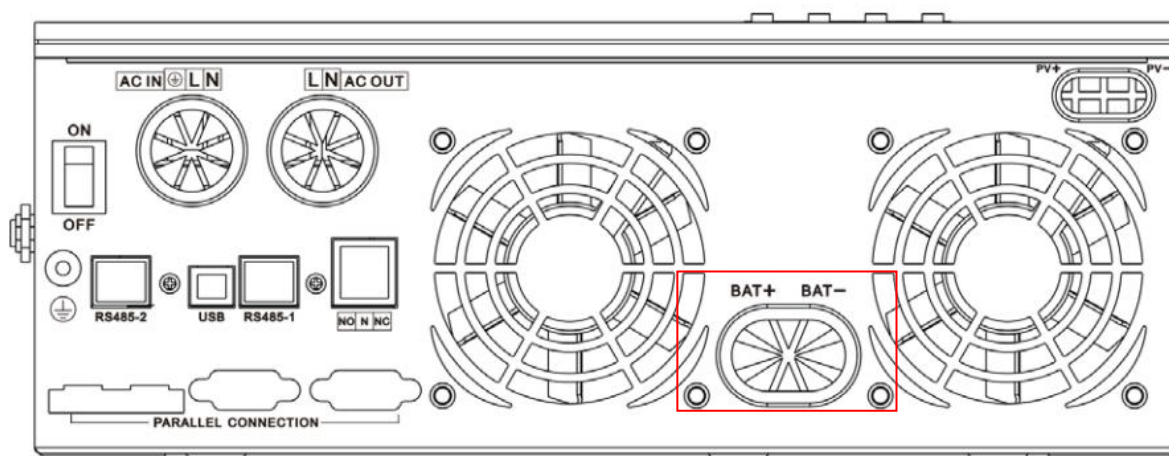
Open the front housing of the SRNE .

Step.2

Connect the red and black cables to the inverter DC connector as shown in Pic 1.1.1.



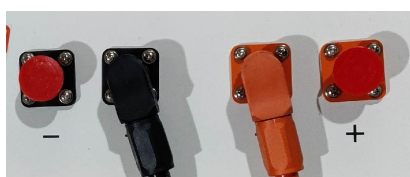
①	Overload protector	⑨	Dry contact port
②	ON/OFF rocker switch	⑩	Cooling fan
③	AC input port	⑪	Battery port
④	AC output port	⑫	Cooling fan
⑤	Grounding screw hold	⑬	PV port
⑥	RS485-2 communication port	⑭	Touch the key lightly
⑦	USB communication port	⑮	Indicator light
⑧	RS485-1 communication port	⑯	LCD screen



Pic 1.1.1

Step.3

At the other end of the cable, connect to the battery as shown Pic 1.1.2. (Ensure that the battery power switch is off)

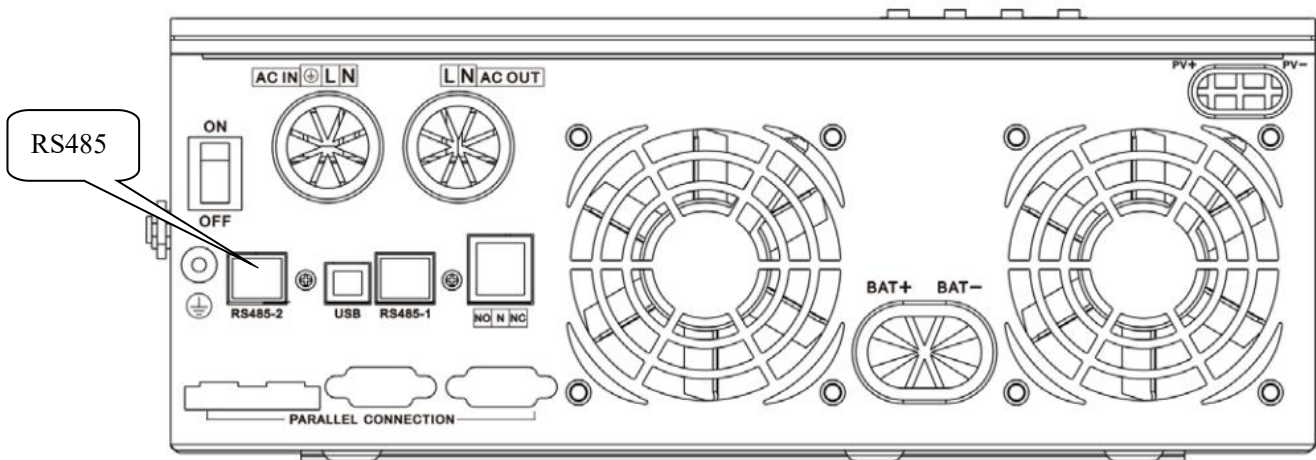


Pic 1.1.2

2. Communication Cable Connection

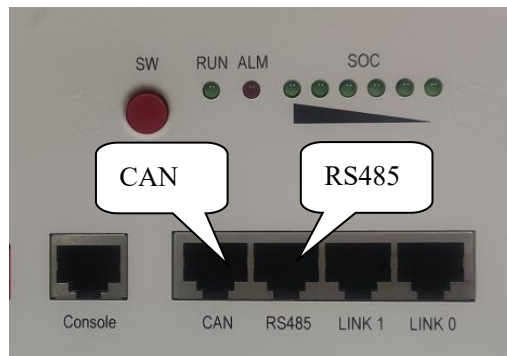
Connect the end of the cable to the inverter communication port as shown in pic 2.1.1. Make sure which communication port to use.

(For some inverter models, RS485-1 may be selected.)



Pic 2.1.1

Connect the other end of the cable to the battery communication port as shown in pic 2.1.2. (Ensure the correct sequence of wires inside the communication cable)



Pic 2.1.2

3. Set The DIP Switch

Set the DIP switch as shown in graphic 1



Pic 3.1.1



graphic 1

4. Start up the system

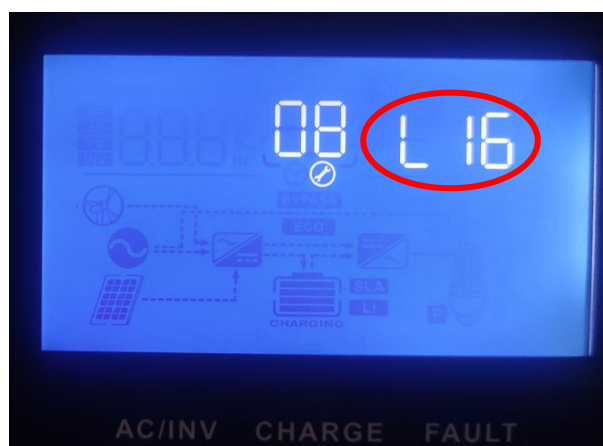
Start up the inverters and batteries.

5. Change the battery setting of the inverter

※ **CAUTION:** If you want more details about the batteries settings, please check the operating manual of inverters.

Step1.

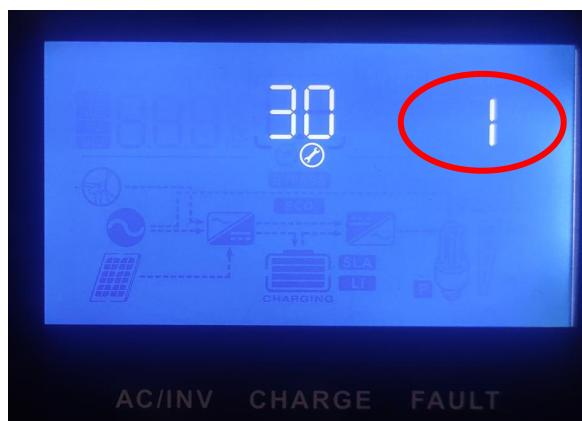
For 48100,08 program should be set to L16. (for 4850,08 program should be set to L15)



Pic 5.1.1

Step2.

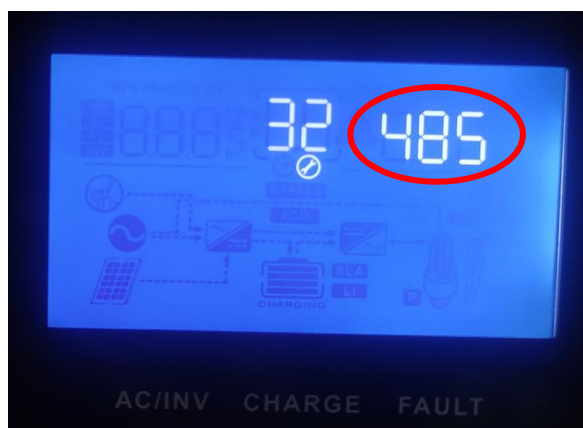
Turn to the 30 program,you can set it to1.



Pic 5.2.1

Step3.

Turn to the 32,set it to 485 . (For some inverter models, BMS may be selected)



Pic 5.3.1

Step4.

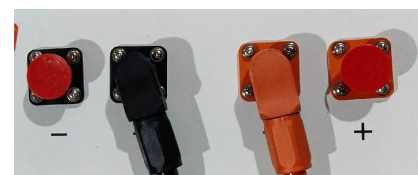
For program 33, the protocol should be SRNE, as shown in the figure.



Pic 5.4.1

6. Check the battery soc

Step.1 Turn back to home screen. If the battery communicates with the inverter successfully, the Soc will be displayed on the home screen.



Pic 5.4.1

7. System monitoring

※ **CAUTION:** If you want more details about system monitoring , please check the operating manual of inverters.

In the Google Play Store, search for "SmartESS" to download and install

Google browser, scan the QR code to download the APP.



Pic 3.2.1