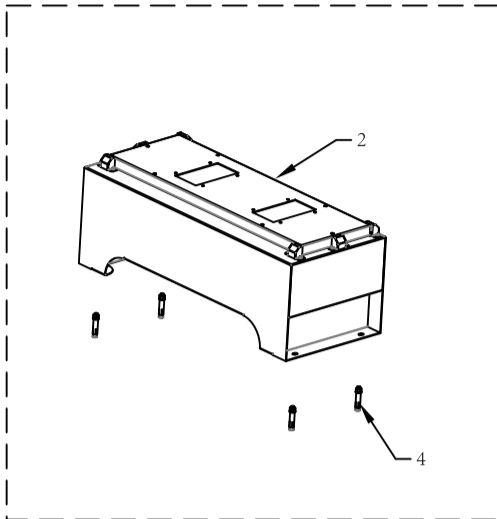


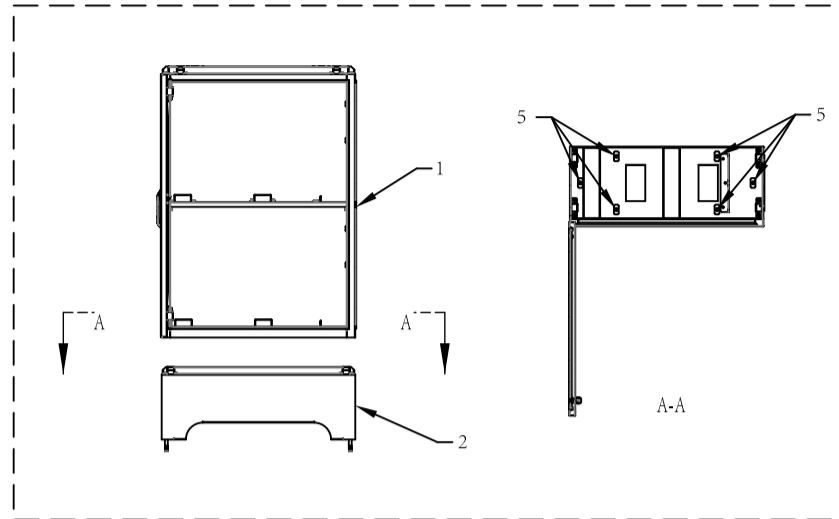
# Installation instructions

## Step 1

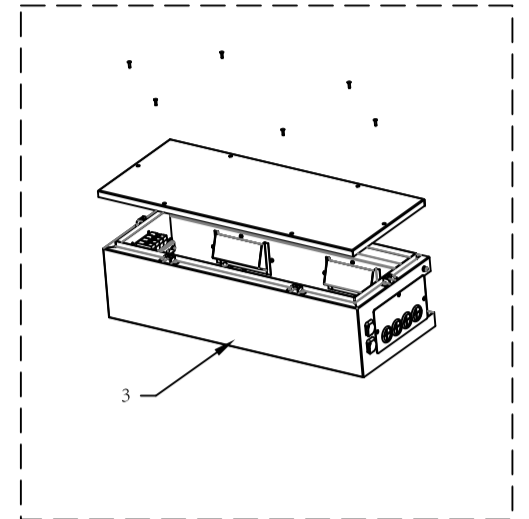


Install the Cabinet Base

## Step 2

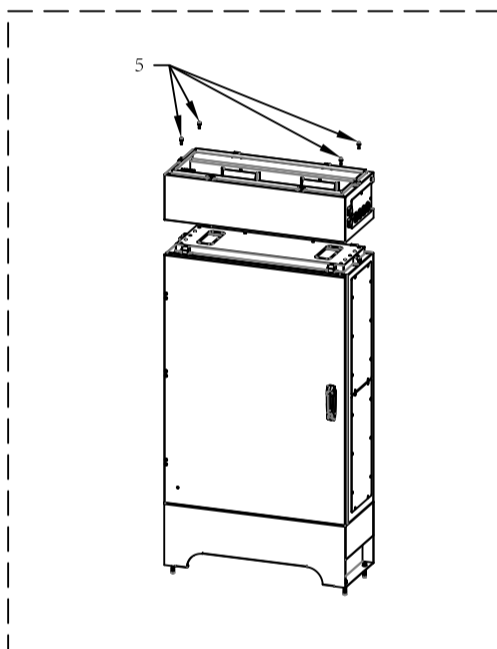


Screw the Battery Cabinet on the Cabinet Base



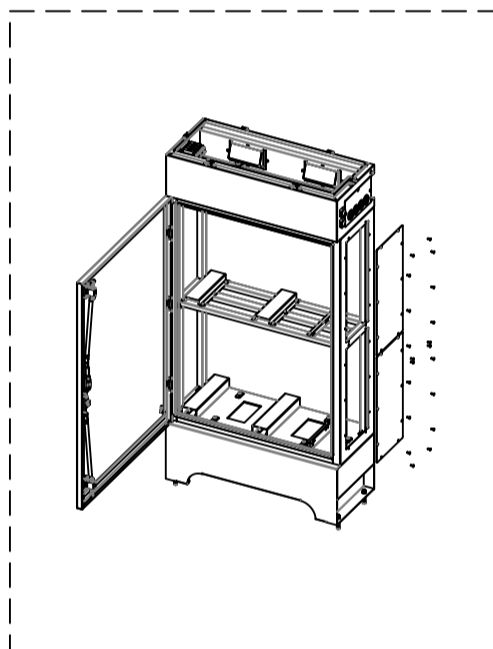
Open the Combiner Box

## Step 3



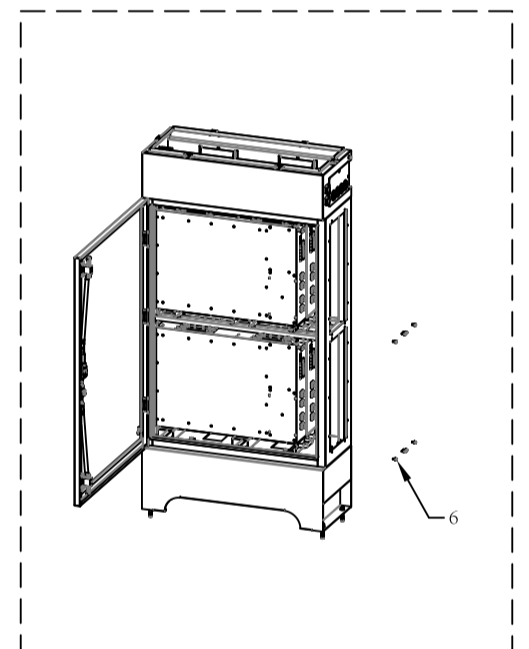
Screw the Combiner Box on the Battery Cabinet

## Step 4



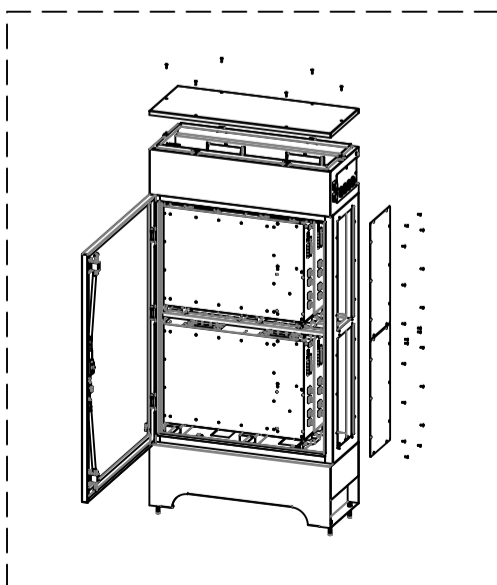
Open the Battery Cabinet

## Step 5



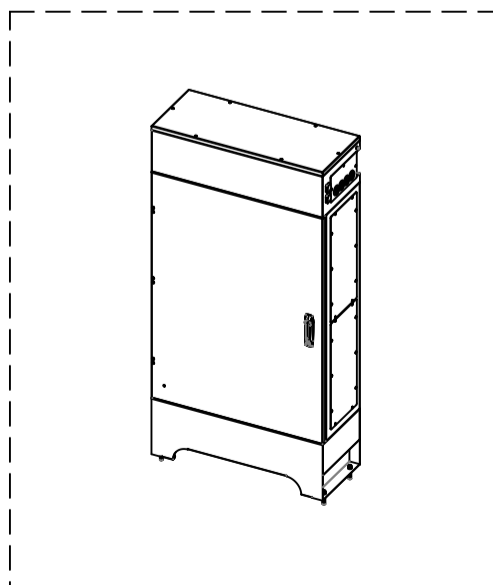
Place and Screw Batteries in Battery Cabinet  
Connect suitable cable for the installation according to your needs

## Step 6



Close the cabinet doors

## Step 7



# Packing List

NO.	Items	Quantity	Specifications	Pictures
1	Battery Cabinet	1 pcs	31.5"×13.0"×47.0" (800mm×330mm×1195mm)	
2	Cabinet Base	1 pcs	31.5"×13.0"×11.8" (800mm×330mm×300mm)	
3	Combiner Box	1 pcs	31.5"×13.0"×8.7" (800mm×330mm×220mm)	
4	Expansion Bolts	4 pcs	GB/T 22795(TGQ)-2008 M8×50(2.0")	
5	Screws	10 pcs	ISO 10644G-2014 M6×12(0.5")	
6	Screws	8 pcs	ISO 10644G-2014 M5×12(0.5")	
7	Power Cable	2 pcs	UL10269-4AWG-57.1"(1450mm) Amphenol、C45-25	
8	Power Cable	2 pcs	UL10269-4AWG-78.7"(2000mm) Amphenol、C45-25	
9	Power Cable	2 pcs	UL10269-4AWG-33.5"(850mm) Amphenol、SC25-6	
10	Power Cable	2 pcs	UL10269-4AWG-51.2"(1300mm) Amphenol、SC25-6	
11	Communication Cable	1 pcs	CAT5E UTP 8 Cores Communication Cable-19.7"(500mm)-RJ45×2	
12	Communication Cable	3 pcs	CAT5E UTP 8 Cores Communication Cable-25.6"(650mm)-RJ45×2	
13	Warning labels	4 pcs	2.0"×3.9" (50mm×100mm)	
14	Adjustable Cable Tie	8 pcs	PE-0.1"×7.9" (PE-3.6×200mm)	
15	Adjustable Cable Tie mount	4 pcs	PE-CL-3	